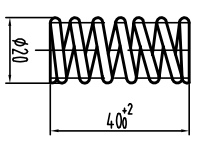
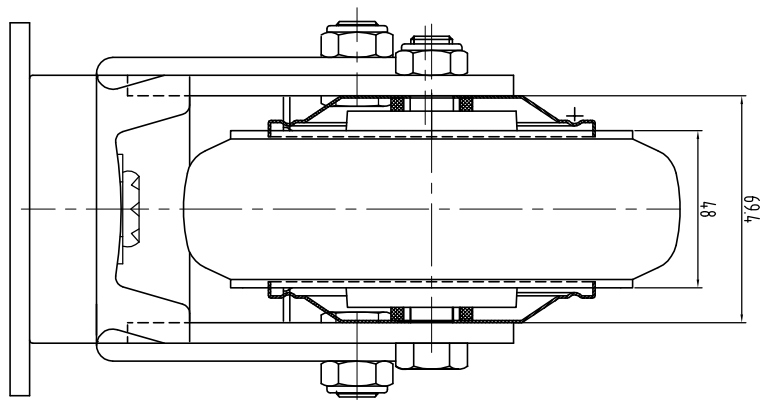
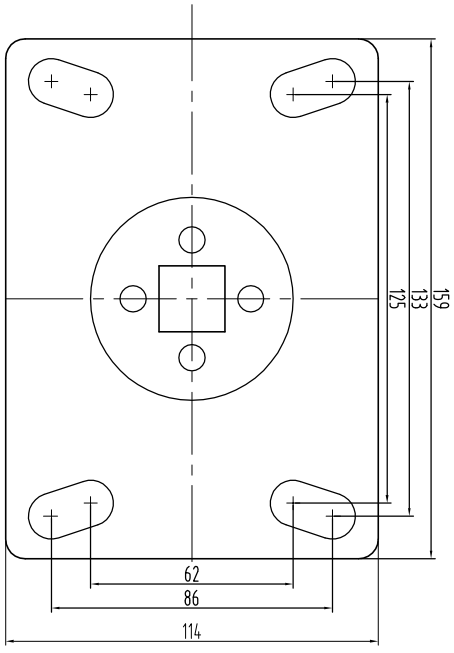
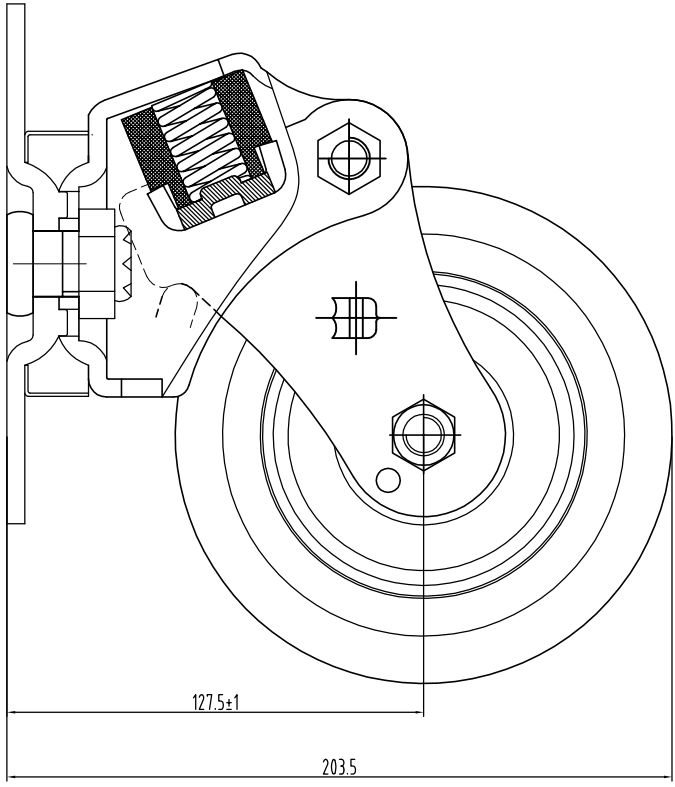


DWG NO.



NO.	QUANTITY	MATERIAL	QTY	TREAT	REMARKS
1					

NAME	1199621K-01 PCL B/B S/A
DRAWN	DESIGN
CHECKED	CHECKED
APPROVED	APPROVED
MEMO	
DATE	1 / 1
SCALE	1 / 1
THIRD ANGLE	
DRAWN	DATE
DATE	2014.01.06
SAMSUNG CASTER CO., LTD.	
TROPINES CASTERS. CO., LTD.	
DWG NO.	